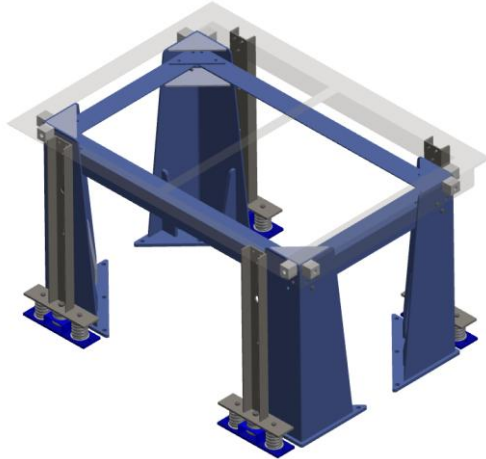


## RACKS & DATA CENTER SEISMIC CONTROL RAISED FLOOR PLINTH

Seismic control plinth designed to minimize effects of earthquakes in IT devices, by reduction of acceleration, useful for Legacy and New Development Data Centers.



Patented Solution designed for Data Center protection against external vibrations and earthquakes:

- ▷ Seismic Hazard Mercalli VIII
- ▷ Zone 4 Certification GR-63 and TIA 942
- ▷ Civil Works or Data Center growth
- ▷ Nearby Emergency Generators
- ▷ InRow and CRAC units
- ▷ Railways or Heavy Traffic

Installation on live Data Centers by our trained team upon request.

## PROPERTIES

- ▷ Innovative design manufactured with 2 dependent frames for both vertical and horizontal energy absorption
- ▷ Direct anchored to the concrete floor and independent of raised floor
- ▷ Designed for Cold/Hot Aisle Containments, integrating both rows and doors
- ▷ W2,400 mm and D1,200 mm as standard size (W96" and D48" in US version)
- ▷ 4 double vertical suspensions, with heavy duty spring elements supplemented with 100% stainless steel energy absorbers
- ▷ Triple vibration isolation:
  - Compression Damping at a very low frequency: 4.5 Hz at nominal load
  - Tension Damping at a very low frequency: 25 Hz at nominal load
  - Incorporation of safety dampers for overload up to 10 times the nominal load
- ▷ 8 lateral displacement energy absorbers
- ▷ Design totally metallic according Data Centers FIRE protection standards.
- ▷ 99% vibration absorption between 100 Kg and 1,500 Kg from 50 Hz
- ▷ Total level of the row possible once installed and in the future
- ▷ Noncorrosive



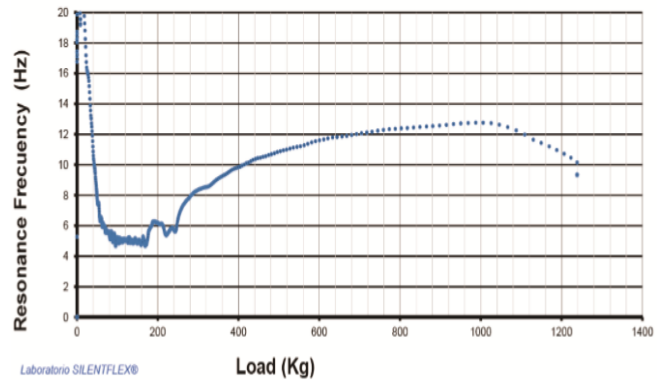
## CUSTOM ADJUSTEMENT

- ▶ Easy size adaptable to rack dimensions depending of vendor and model.
- ▶ Easy fixing to any rack in the market.



## HIGH PERFORMANCE

- ▶ Very low resonance frequency during a wide range of loads supported.



## DIMENSIONS



Reference	Nominal Load (Kg)	Natural Frequency (Hz)	Free Height H (mm)	Width W (mm)	Depth D (mm)
956900 - S1	1,500 Kg/rack	4-5	From 30	2,400*	1,200*

\* W96" and D48" in US version

## CONTACT

### SECURE TECHNICAL ROOMS SL

José Garrido 82 46185 Pobla de Vallbona SPAIN

Tel: +34-960720295 +34-657663442

[info@securetechnicalrooms.com](mailto:info@securetechnicalrooms.com)

[www.securetechnicalrooms.com](http://www.securetechnicalrooms.com)